

FIG. 1

For fan models: ITG80, ITG50, ITG100, ITG80H, ITG80LED, ITG70LED and ITG50LED.

1. Install the radiation damper onto the inlet side of the fan so that the holes in the sleeve align with mounting holes on the fan using the four #10-32 x 1/4" long screws provided with the damper assembly (general installation). The mounting flange of the fan should be aligned with the mounting flange of the damper assembly (refer to Figure 1).
2. Prior to the gypsum ceiling being placed, install the Damper Supports 10-3/4" on center at the location of the damper and fan assembly. The supports consist of two pieces of 2x4's; one piece is to be cut to the truss/joist height (Damper support1), the second is to be cut per the following equation (Damper Support 2). The supports are to be flush mounted to the bottom of the joist/truss and secured using at minimum 2" wood screws. Sizes for the fan supports are based on the presence of a resilient channel, please refer to the appropriate UL floor/ceiling design. For reference:

$$\text{Damper Support 2 (Length)} = 5\frac{1}{2} - \text{Resilient Channel Height}$$

3. Damper Support 2 is optional. An alternate Installation can be done using only Damper Supports 1.
4. For a damper used with a fan equipped with a grille light, route the wire from the grille through the notch on the damper frame. Use the supplied bracket to secure the wire to the damper frame. Attach the bracket to the frame as seen in Figure 3 using one of the supplied #8-18 screws.

5. If fan is not equipped with a lighted grille this bracket is to be installed as seen in Figure 2. Ensure that the bracket covers the notch in the frame.

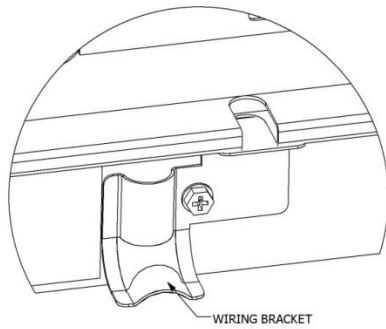


FIG. 2 - FAN WITHOUT LIGHT

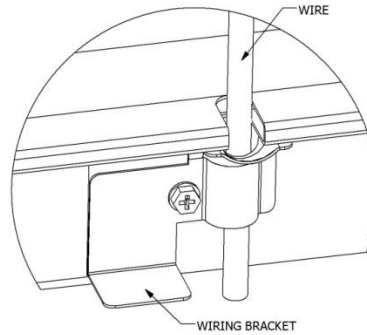
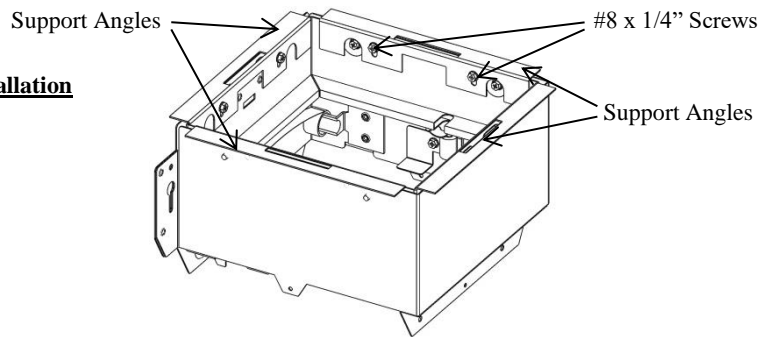


FIG. 3 - FAN WITH LIGHT

6. Install the fan Suspension Brackets (Not included) on the fan/damper assembly.
 7. Position the fan/damper assembly in the ceiling construction so that the fan Suspension Brackets (Not included) mount flush with the fan support 2x4's installed in step 3. Drive in the 6D nails at the ends of the fan Suspension Brackets (Not included) into the 2x4's to secure the assembly in the ceiling.
 8. Secure the supplied support angles to the damper frame using the pre drilled holes in the frame using the supplied # 8 x 1/4" long screws as seen in Figure 4.

FIG.4 Support Angles Installation



9. After the gypsum ceiling has been installed make sure it is resting on the support angle that is installed on the damper frame on step 6.
 10. Install the fan's grille according to the standard fan installation documents.
 Installation is valid for the following UL rated wood truss ceilings: L521, L546, L558, L562, L574, L576, L581, L583, L585, P522, P533, P538, and P545.

